

MaxBlend 2

*An all-in-one blender,
O₂ monitor, and flow meter.*



▶ AVAILABLE NOW!

Maxtec is proud to introduce the all-new **MaxBlend 2**, designed with years of customer feedback in mind. This easy-to-use, low maintenance blender has a range of new features and improvements, including a backlit LCD and acrylic flow meter, smart alarms, DC power port, extended battery life, and more—all backed by a Maxtec two-year warranty.

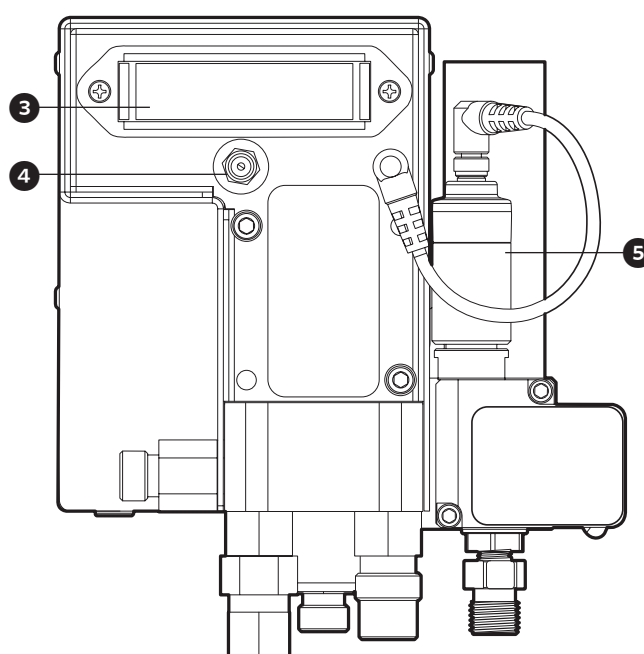
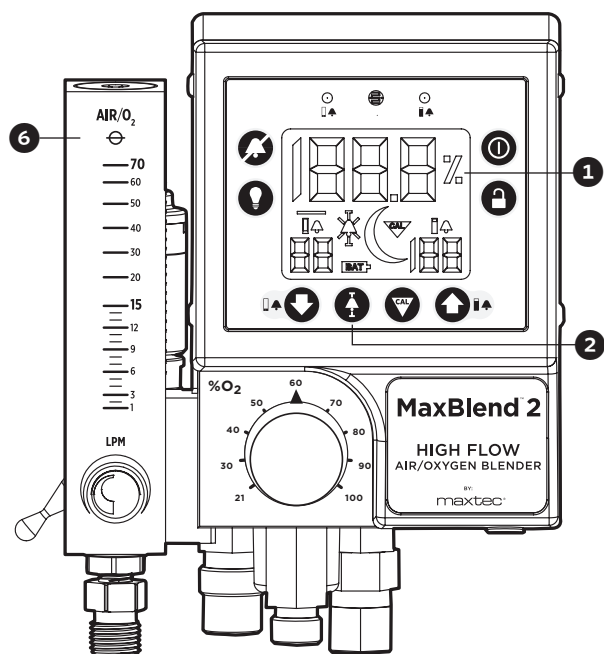
PART NUMBERS

DISS - LOW - FLOW:

0-3 LPM..... R229P01-011
 0-15 LPM R229P01-010
 0-30 LPM..... R229P01-001

DISS - HIGH - FLOW:

0-70 LPM..... R229P02-001



1. Large, Backlit LCD

Provides clarity in low-light environments

2. Smart Alarms

Sets alarms 3% +/- current reading

3. Long Battery Life

Up to 5,000 hours on 4 AA batteries

4. DC Power Port

For optional remote power supply

5. External MAX-550 O₂ Sensor

Long-life smart sensor

6. Acrylic Flow Meter

With backlighting

Specifications

Model Weight	Approximately 5.3 lbs (2404 grams)
Power Source	Four (4) AA alkaline batteries
Battery Life	5,000 hours (continuous operation; no alarm, no lights)
Oxygen Concentration Measurement Range	0% to 100% oxygen
Display Resolution	0.1% oxygen
Oxygen Concentration Adjustment Range	21% to 100% oxygen
Gas Supply Pressure	The gas supplies must provide clean, dry, medical-grade air and oxygen at a pressure of 30 to 75 psig (2.1 to 5.2 bar). Optimal performance is achieved at 50 psig inlet pressures
Pressure Drop	Less than 6 psi (0.4 bar) @ 50 psig (3.4 bar) sensor supply pressure and 10 lpm flow rate
Sensor Bleed Flow	0.1 lpm @ 50 psig (3.4 bar)
Bleed Flow (toggle ON)	3 lpm for low-flow blender and 13 lpm for high-flow blender
Outlet Flow Range	0-30 lpm for low-flow blender 2-100 lpm for high-flow blender with inlet pressures at 50 psig (3.4 bar)

ML# 263 Rev.E



2305 South 1070 West
Salt Lake City, Utah 84119

866.4.Maxtec | maxtec.com